

# KOMATSU®

## SK815-5

**NET HORSEPOWER**  
39.8 kW **54 HP** @ 2800 rpm

**OPERATING WEIGHT**  
2630 kg **5,785 lb**

**SK**  
**815**

SKID STEER LOADER



Photos may include optional equipment.

# WALK-AROUND

## ***Easy to use Travel and Loader PPC Joysticks***

Low effort Proportional Pressure Control (PPC) joysticks operate travel and loader functions. Easy to use PPC controls help operators of all skill levels work precisely and efficiently all day long.

## ***Maximum Performance and Precise Control***

Komatsu's smooth and precise hydraulic system lets the operator feel the performance of the machine. The three-spool open center control valve is designed for both single and simultaneous movements to achieve excellent controllability in the positioning of the bucket.

## ***Standard Universal Attachment Quick Coupler***

A universal quick coupler enables common attachments to be changed quickly and with little effort. The Komatsu coupler is compatible with all attachments utilizing the universal skid steer coupler. Auxiliary hydraulics with flat faced connectors are standard equipment as well.

## ***Auxiliary Hydraulic Control***

The auxiliary hydraulic control provides excellent hydraulic power to front mounted hydraulic attachments. The auxiliary hydraulic flow can be metered from 1 to 16 GPM in either direction or locked into continuous full flow. An auxiliary override option is available allowing the operation of attachments requiring the operator to be outside the cab.

## ***Long Wheel Base***

The Komatsu SK815 skid steer loader has one of the longest wheel bases in its class, 1041 mm **41"**, giving the operator a stable ride and an excellent platform for operating high production attachments.



### ***Automatic Power Control (APC)***

Patented Komatsu Automatic Power Control hydrostatic travel system is designed to allow full utilization of engine power. The operator can work with full engine power during the toughest job site applications without worrying about engine stall outs.

### ***Outstanding Visibility***

The large top and rear tempered glass windows, sloping hood, elevated seat platform, and the large side screen area offer a superior view of the bucket, cutting edge, and work area providing an excellent view of the work at hand as well as the job site.

### ***Super Flow Hydraulics (Optional)***

The Super Flow Hydraulic system increases the available oil flow for attachments from 16 GPM to 26 GPM and includes case-drain and electrical connections. The joystick mounted control system incorporates momentary reverse flow and multiple electrical inputs enabling the SK815 to power most attachments, making it a very flexible and productive machine.

### ***Intelligent Operator Controls***

Komatsu has enhanced operator productivity and efficiency with technologically advanced controls and information systems. The operator arm rest bar incorporates an LCD gauge panel and warning light system. The joystick control levers include switches for horn, two speed travel, loader arm float, and attachment control functions.

### ***Two-Speed Travel***

Komatsu's standard equipment two-speed travel system allows for low impact shift-on-the-go speed changes between 10.5 kph **6.5 MPH** work range and 16 kph **10 MPH** travel range. This feature allows the operator to reduce load and carry cycle times as well as travel times between job sites.

### ***Enhanced Loader Arm and Bucket Control***

The hydraulic self leveling (up only) bucket with 1795 kg **3950 lbs.** breakout force enhances the productivity of the operator on the job site. The 30° rollback angle and 45° dump of the bucket provide good load retention over rough terrain and good material flow in the dump cycle.

**NET HORSEPOWER**  
39.8 kW 54 HP @2800rpm)

**OPERATING WEIGHT**  
2630 kg 5,785 lb

1041 mm 41"  
**Long Wheel Base**

"APC"  
**Automatic Power Control**

16.0 kph **10 MPH Max.**  
**Travel Speed**



Photos may include optional equipment.



# OPERATOR'S COMPARTMENT

## ***Superior Engine Control***

The engine speed can be controlled by either the hand throttle, the foot accelerator, or in combination for tight work sites. The ability to regulate engine speed allows the operator to improve fuel economy and reduce noise levels.

## ***Effective Operator Cab Environment***

All instrumentation is within the peripheral view of the operator. The function switches are waterproof and placed within easy reach of the operator for comfort and convenience.

## ***Control Pattern Change Valve Lever (Optional)***

Convert from the standard ISO control pattern to the optional control pattern with the flip of a lever. This allows the Komatsu Skid Steer Loader to be customized to meet the individual operator's needs. This option is especially useful for rental centers allowing different operators to efficiently use the same machine.

## ***Enhanced Operator Comfort***

The operator arm rest bar is ergonomically designed to provide forearm support and incorporates an operator presence switch, which deactivates the travel and hydraulic circuits while activating the travel brakes when the operator leaves the machine. A retractable seat belt is provided as standard equipment.



***Split Designed Operator Arm Rest Bar***

The split designed operator arm rest bar is easily engaged from the left and right side. The gauges and indicator lights are incorporated into the arm rest bar for enhanced operator efficiency, comfort, and confidence.

***Enhanced Operator Controls***

The gauge panel, warning, and indicator lights are mounted on the operator arm rest bar. Monitoring of all critical machine functions is easy, convenient, and doesn't distract the operator from the job at hand.

**SPLIT DESIGNED OPERATOR  
ARM REST BAR**

**PPC JOYSTICK CONTROLS**

**PATTERN CHANGE  
VALVE LEVER**

**SUPERIOR OPERATOR  
ENVIRONMENT**

***Easy to use Travel and Loader PPC Joystick***

Low effort Proportional Pilot Control (PPC) joysticks operate travel and loader functions. Easy to use PPC controls help operators of all skill levels work precisely and efficiently all day long.

***Auxiliary Hydraulic Control***

The auxiliary hydraulic control provides excellent hydraulic power to front mounted hydraulic attachments. The auxiliary hydraulic flow can be metered from 1 to 16 GPM in either direction or locked into continuous full flow. An auxiliary override option is available allowing the operation of attachments requiring the operator to be outside the cab.



# SERVICEABILITY

## ***Tilt-Forward ROPS/FOPS, Top Engine Cover and Floor Plate***

Another patented feature allows the Komatsu cab and engine hood to tilt with the loader arms in the raised or lowered positions. This provides exceptional access to the engine, hydraulic, and mechanical components.

## ***250 Hour Pin Greasing Interval***

Minimizes daily downtime, reduces owning and operating costs. The special bronze bushings are specially treated and accompanied with dust seals.

## ***Removable Polyvinyl Fuel Tank***

The fuel tank is constructed of polyvinyl plastic, corrosion resistant, and guards against condensation. A large opening with a strainer allows for easy re-fueling and an external level indicator is visible to ensure safety during re-fueling. The fuel tank is easily removed with a fuel shut-off and quick release.



## ***O-Ring Face Seal Fittings and Connectors***

Specific torque settings are not required for optimal performance. The fitting and connectors have a low sensitivity to vibration and are reusable even after several disassemblies.

## ***Side-by-Side Radiator and Oil Cooler***

The radiator and oil cooler tilt out for cleaning from either side and allow for additional inspection and access.

## ***Hinged Top Engine Cover and Rear Door Panel***

The top engine cover opens out of the way and the hinged rear door swings open allowing excellent access for daily service checks.

## ***Multi-Viscosity Oil Can Be Used for All Fluid Requirements***

The engine oil, hydraulic oil and chain case oil utilize the same grade of multi-viscosity oil.

## ***Loader Arm Maintenance Support Strut***

Allows the operator to engage or disengage the maintenance support strut without leaving the operator's seat.



**ENGINE-EPA TIER 2 CERTIFIED**

Model ..... Komatsu S4D84E-1FD  
 Type ..... Diesel engine, 4 cycle  
 Bore x stroke ..... .88 x 90 mm **3.47 x 3.54 in**  
 Number of cylinders ..... 4  
 Combustion ..... Direct injection  
 Aspiration ..... Turbocharged  
 Rated power:  
 (SAE J1349) ..... **39.8 kw 54 HP @ 2800 rpm**  
 Max. torque ..... **157 Nm 116 ft. lb. @ 1800 rpm**  
 Cooling system ..... Water  
 Air filter ..... Dry type with dual element  
 Starting system ..... Electric motor with pre-heating  
 air system for cold weather 0° C (32° F)



**TRANSMISSION**

Type ..... Hydrostatic  
 Pumps ..... 2 x variable displacement with 2 stage and APC system  
 Motors ..... 2 x axial pistons with two speeds  
 Final transmission with heavy duty type roller chains immersed in oil bath  
 connected to the four driving axles  
 Speeds: - Working ..... 10.5 km/h **6.5 mph**  
 - Travel ..... 16 km/h **10.0 mph**  
 Sealed wet-disc parking brakes with automatic engagement when operator  
 exits the cabin



**HYDRAULIC SYSTEM**

Type ..... Komatsu  
 Pump ..... Gear  
 Max. flow - auxiliary hydraulic ..... 62.0 ltr./min **16 gal/min**  
 Max. pressure - auxiliary hydraulic ..... 210 bar **3,045 psi**  
 Control valve ..... 3 elements fully Servo-controlled

**High flow auxiliary hydraulic system "SUPER FLOW" (OPTIONAL):**

Max. flow ..... 100 ltr./min **26 gal/min**  
 Max. pressure ..... 210 bar **3,045 psi**



**LOADER**

Performance without rear counterweights  
 Operating load (ISO 5998) ..... 705 kg **1,550 lb.**  
 Tipping load (ISO 8313) ..... 1400 kg **3,100 lb.**  
 Bucket breakout force (ISO 8313) with short lip bucket 1795 kg **3,950 lb.**  
 Bucket breakout force (ISO 8313) with long lip bucket .1522 kg **3,349 lb.**



**STANDARD EQUIPMENT**

- Accelerator pedal
- Adjustable seat with retractable seat belt
- Automatic Power Control system (anti-stall)
- Backup alarm
- Bucket self-leveling (up only)
- Auxiliary hydraulics
- Central Monitor Panel including hour meter, fuel level indicator, engine coolant temperature gauge. Warning lights: alternator, engine oil pressure, air filter restriction, hydraulic oil filter restriction, working lights, parking brakes, travel speed, float function and engine preheat
- Cup holder
- Halogen working lights (2 front)
- Horn
- Loader arm float function
- Operator arm rest bar with sensor for parking brakes and hydraulic system lock-out
- Rear window
- ROPS-FOPS (Level I) open canopy
- Top window
- Two-speed transmission
- Universal front attachment coupler
- Wet-disc parking brakes



**OPTIONAL EQUIPMENT**

- 12 volt electrical outlet
- Amber rotating beacon
- Auxiliary hydraulics over-ride control
- Control pattern change valve
- Lifting hooks on cab roof
- Master electrical disconnect switch
- Rear counterweights
- SUPERFLOW auxiliary hydraulics version, with additional auxiliary hydraulic circuit for attachments
- Suspension seat
- Working lights (2 rear)



**CONTROLS**

Proportional Pressure Control (PPC) joystick levers. The left hand joystick controls the travel, the right joystick controls the loader equipment. The PPC foot pedal controls the auxiliary hydraulic circuit for attachments. An operator presence system neutralizes control system when operator exits the cabin. Control pattern change valve is optional equipment. The optional control pattern splits the travel and the loader controls between both joystick levers.



**ELECTRIC SYSTEM**

Rated voltage ..... 12 V  
 Battery ..... .80 Ah  
 Alternator ..... .40 A



**SERVICE REFILL CAPACITIES**

Hydraulic system ..... 38.0 ltr. **10.0 US gal.**  
 Fuel tank ..... 53.0 ltr. **14.0 US gal.**  
 Chain cases ..... 31.0 ltr. **8.0 US gal.**  
 Engine oil ..... 8.0 ltr. **2.0 US gal.**  
 Engine coolant ..... 8.0 ltr. **2.0 US gal.**



**TIRES**

Optional ..... 10-16.5 8PR heavy duty flotation tires  
 31x15.5 - 15 8PR super wide flotation tires

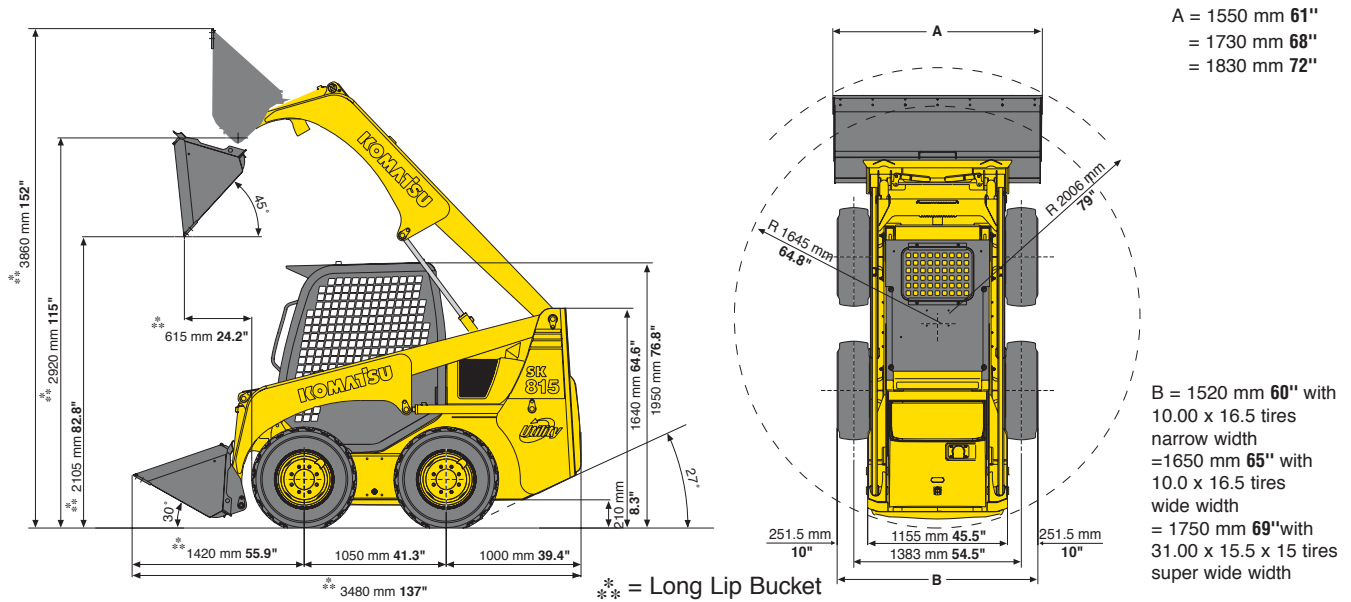


**OPERATING WEIGHT**

Operating weight of machine with standard bucket,  
 full tank of fuel and an 80 kg **176 lb** operator (ISO 6016) 2630 kg **5,785 lb**



# Dimensions



Bucket	Base Machine with 1730 mm <b>68"</b> Long Lip Bucket	Base Machine with 126 kg <b>278 lb.</b> Counterweights & 1730 mm <b>68"</b> Long Lip Bucket		Base Machine with 126 kg <b>278 lb.</b> Counterweights & 1219 mm <b>48"</b> Pallet Forks		
		0.43 m <sup>3</sup>	<b>0.56 yd<sup>3</sup></b>	0.43 m <sup>3</sup>	<b>0.56 yd<sup>3</sup></b>	N/A
Bucket capacity SAE rated	0.43 m <sup>3</sup>	<b>0.56 yd<sup>3</sup></b>	0.43 m <sup>3</sup>	<b>0.56 yd<sup>3</sup></b>	N/A	<b>N/A</b>
Bucket width	1730 mm	<b>68"</b>	1730 mm	<b>68"</b>	N/A	<b>N/A</b>
Bucket weight (1219 mm <b>48"</b> Pallet fork weight)	176 kg	<b>387 lb</b>	176 kg	<b>387 lb</b>	172 kg	<b>378 lb</b>
Static tipping load	1400 kg	<b>3,100 lb</b>	1590 kg	<b>3,500 lb</b>	1022 kg	<b>2,250 lb</b>
Operating capacity - 50% of tipping load	705 kg	<b>1,550 lb</b>	795 kg	<b>1,750 lb</b>	511 kg	<b>1,125 lb</b>
Dump clearance, maximum height and 45° dump angle	2105 mm	<b>82.8"</b>	2105 mm	<b>82.8"</b>	N/A	<b>N/A</b>
Height to bucket hinge pin	2920 mm	<b>115"</b>	2920 mm	<b>115"</b>	2910 mm	<b>114.6"</b>
Reach at maximum height and 45° dump angle	615 mm	<b>24.2"</b>	615 mm	<b>24.2"</b>	N/A	<b>N/A</b>
Operating height Fully raised	3860 mm	<b>152"</b>	3860 mm	<b>152"</b>	N/A	<b>N/A</b>
Clearance circle-front	2006 mm	<b>79"</b>	2006 mm	<b>79"</b>	2006 mm	<b>79"</b>
Clearance circle-rear	1645 mm	<b>64.8"</b>	1645 mm	<b>64.8"</b>	1645 mm	<b>64.8"</b>
Operating weight	2630 kg	<b>5,785 lb</b>	2750 kg	<b>6,050 lb</b>	2758 kg	<b>6,068 lb</b>

• All dimensions, weights, and performance values based on SAE J732c and J742b standards. Static tipping load and operating weight shown include 10.00x16.5 8PR tires, lubricant, coolant, full fuel tank, ROPS canopy, and operator. Machine stability and operating weight are affected by counterweight, tire size, and other attachments.

This specification sheet may contain attachments and optional equipment that are not available in your area. Please contact your local Komatsu Utility Division distributor for those items you may require. Materials and specifications are subject to change without notice.

KUSS132-06

©2009 Komatsu America Corp. Printed in USA

K06(3M)CCi

06/09 (EV-1)

